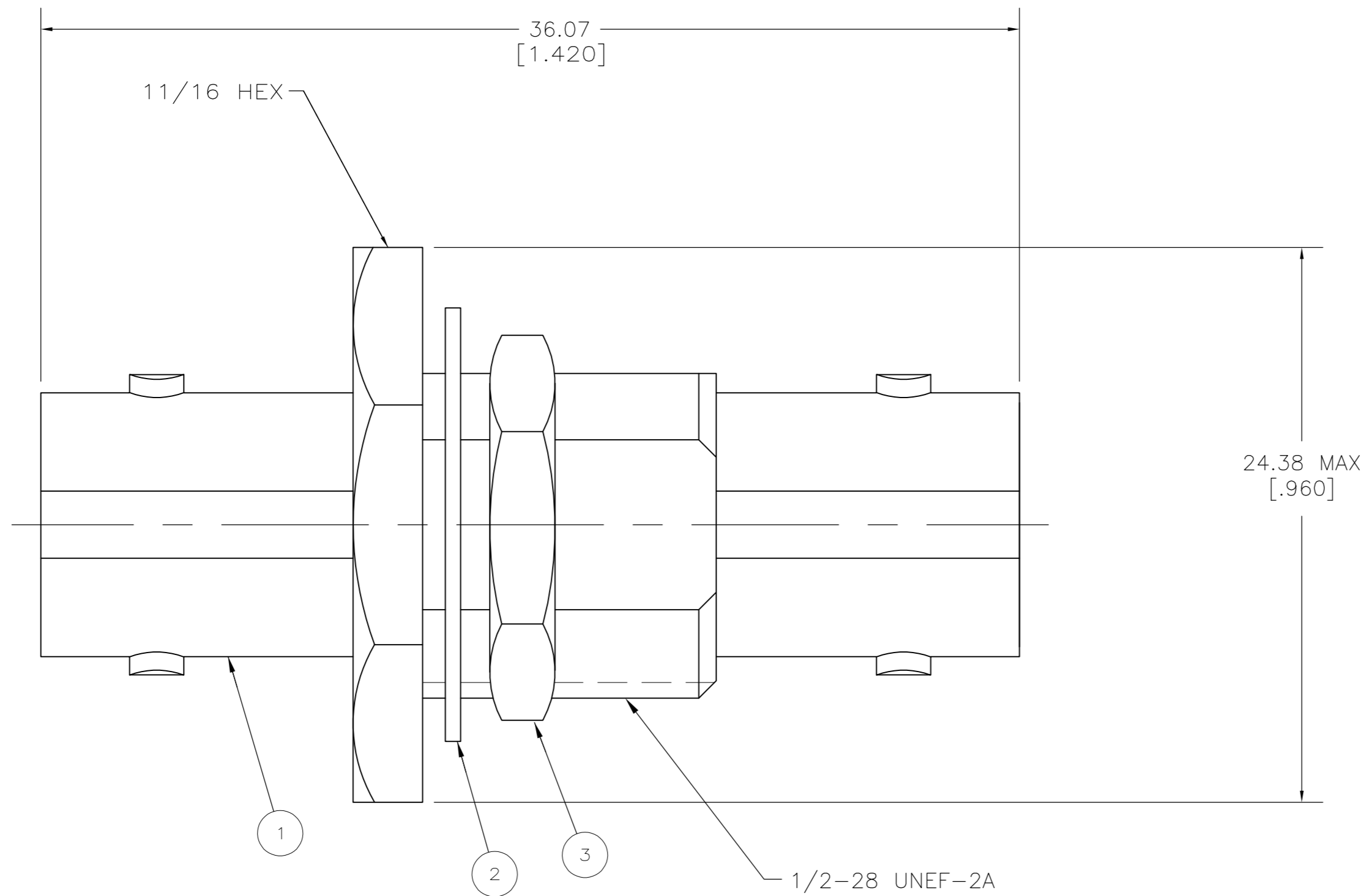
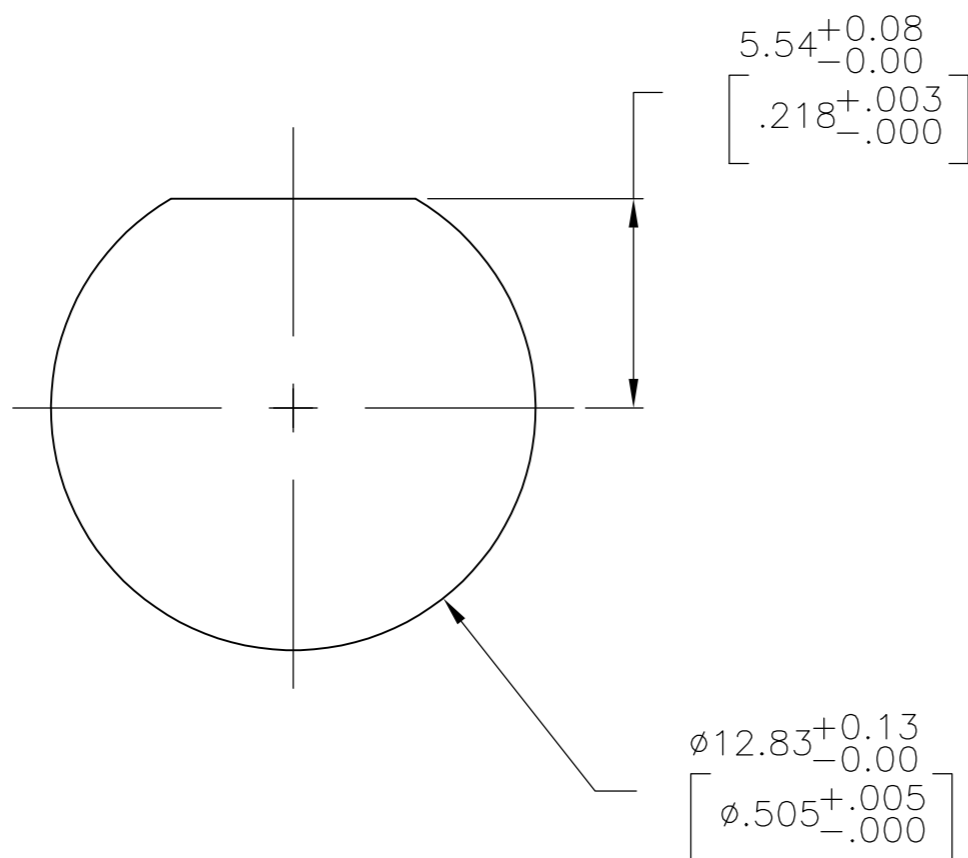


THIS DRAWING IS UNPUBLISHED. RELEASED FOR PUBLICATION
 © COPYRIGHT - By - ALL RIGHTS RESERVED.

LOC	DIST	REVISIONS			
P	LTR	DESCRIPTION	DATE	DWN	APVD
AJ	16	A1	REVISED PER ECO-11-005030	11MAR11	RK HMR



- PARTS PACKAGED UNASSEMBLED.
- PANEL THICKNESS = 6.35 [.250] MAX.



1-329631-2	1-329632-2	228255-2	5228226-3
1-329631-2	1-329632-2	9-228255-0	5228226-1
(3) JAM NUT QTY=1	(2) LOCK WASHER QTY=1	(1) JACK ADAPTER ASSEMBLY QTY=1	PART NUMBER

DIMENSIONS:		TOLERANCES UNLESS OTHERWISE SPECIFIED:		DWN		NAME	
mm [INCHES]		0 PLC	± -	A. FERNANDEZ-DOCK5	18APR2005	TE Connectivity	
		1 PLC	± -	J. HAVENER	18APR2005	JACK TO JACK ADAPTER, BULKHEAD MOUNT, BNC	
		2 PLC	± -	J. LIPPERT	18APR2005	SIZE	CAGE CODE
		3 PLC	± -			A2	00779
		4 PLC	± -			SCALE	DRAWING NO
		ANGLES	± -			5:1	C=5228226
MATERIAL	FINISH					SHEET	RESTRICTED TO
-	-					1 of 1	-
CUSTOMER DRAWING						REV	A1